

STEPPED POLES



STEPPED POLES

Stepped Poles, a hallmark of innovative engineering, undergo a distinctive manufacturing process at Atom Poles, utilizing a unique hot-swaged joint method that sets them apart in terms of strength and durability. This method involves the application of heat to seamlessly fix a larger diameter pipe into a smaller diameter pipe, resulting in fused pipe joints of remarkable strength.

The key advantage of this hot-swaged joint method lies in its ability to create watertight joints, ensuring the overall pole maintains its strength consistently across its entire length. Unlike traditional methods that involve welding, the absence of welding in the production of Stepped Poles is a significant benefit. This absence means that joints do not experience weakening over their lifetime, contributing to the long-term structural integrity and reliability of the poles.

At Atom Poles, our commitment to quality shines through in the meticulous craftsmanship of Stepped Poles. The innovative hot-swaged joint method not only enhances strength but also eliminates potential vulnerabilities associated with welded joints. This makes Stepped Poles an ideal choice for various applications, offering robust solutions for highway and street lighting, traffic signage, electrical distribution, and transmission towers.

In addition to their functional excellence, Stepped Poles cater to a range of aesthetic needs, contributing to the visual appeal of urban landscapes. Atom Poles proudly stands behind the Stepped Poles, exemplifying our dedication to cutting-edge engineering practices that redefine industry standards and elevate the performance of infrastructure solutions.

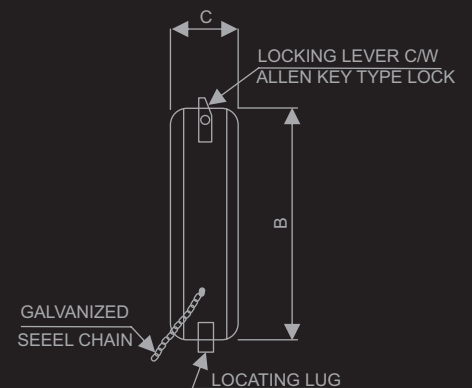
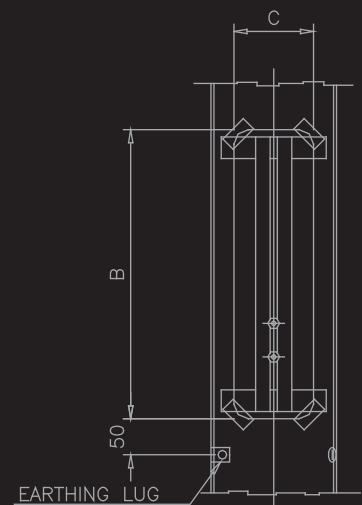
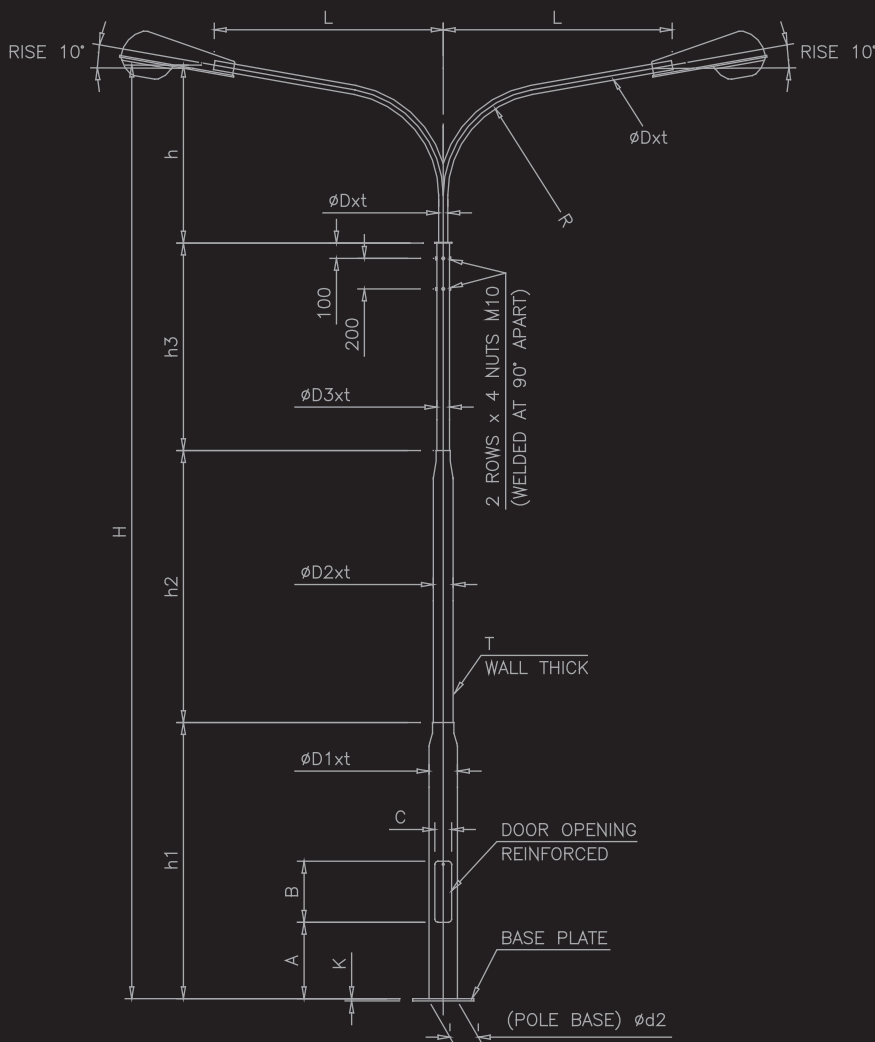
STEPPED POLES

STEPPED STREET LIGHTING POLES WITH LONG BRACKET

Pole Size (mm)									Arm Size (mm)			
"H"	"h1"	"ØD1xt"	"h2"	"ØD2xt"	"h3"	ØD3xt	"h4"	ØD4xt	"h"	"L"	"R"	"ØD x t"
6,000	3,000	141.3x4.0	1800	88.9x3.25	--	--	--	--	1,200	1,000	700	60.3 x 2.90
7,000	3,000	141.3x4.0	1,800	114.3x4.0	1,000	76.1x3.25	--	--	1,200	1,000	700	60.3 x 2.90
8,000	3,000	168.3x4.0	1,800	114.3x4.00	2,000	76.1x3.25	--	--	1,200	1,500	700	60.3 x 2.90
9,000	3,000	168.3x4.0	2,800	114.3x4.0	2,000	76.1x3.25	--	--	1,200	1,500	700	60.3 x 2.90
10,000	4,000	168.3x4.0	2,800	114.3x4.0	2,000	76.1x3.25	--	--	1,200	1,500	700	60.3 x 2.90
12,000	4,000	193.7x4.0	3,800	114.3x4.0	2,200	76.1x3.25	--	--	2,000	2,000	1,000	60.3 x 3.65
14,000	4,000	219.1x5.6	3,750	141.3x4.0	2,800	114.3x4.00	1,450	88.9x3.6	2,000	2,500	1,500	60.3 x 3.65
15,000	4,000	219.1x5.6	3,750	193.7x4.0	3,800	168.3x4.00	1,450	114.3x4.0	2,000	2,500	1,500	60.3 x 3.65

Pole + Bracket Details

Door Opening Details

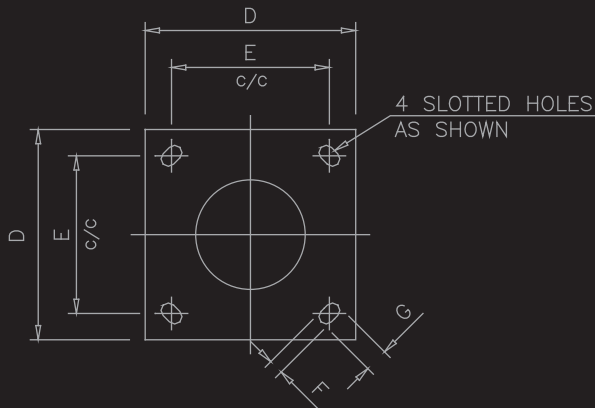


STEPPED POLES

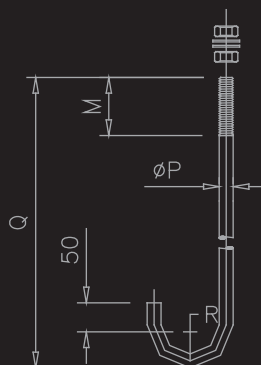
STEPPED STREET LIGHTING POLES WITH LONG BRACKET

Door Opening			Flange Plate Size					Anchor Bolts Size				Abbreviations/Notes
"A"	"B"	"C"	"D"	"E"	"F"	"G"	"K"	"ØPxQ"	"R"	"M"	"Qty"	Abbreviations : Pole Size : H = Overall height h1 = Height of bottom shaft h2 = Height of middle shaft h3 = Height of top shaft t = Shaft Wall Thickness Arm Size : h = Bracket height, L = Outreach R = Radius Dxt = Diameter x thickness. Door Opening : A = Door opening ht above ground B = Door size C = Door width. Flange/Base Plate : D = Dimension E = Dist. between holes F = Hole width G = Hole length K = Plate Thickness. Anchor Bolts : P = Bolt dia Q = Bolt height R = Radius N = Bending height Q = No. of bolts required/Pole.
600	300	70	300	200	22	35	10	18x400	50	100	4 Nos	
600	400	90	400	300	28	45	10	24x500	50	100	4 Nos	
600	400	90	400	300	28	45	10	24x500	50	100	4 Nos	
600	400	110	400	300	28	45	15	24x500	50	100	4 Nos	
600	400	110	400	300	28	50	15	27x500	50	100	4 Nos	
600	400	110	400	350	32	50	20	27x700	75	120	4 Nos	
600	500	120	400	300	32	45	25	27x700	75	120	4 Nos	
800	600	130	450	350	35	50	25	30x1000	75	150	4 Nos	

Flange Plate Details



Anchor Bolt Details



Notes :

1. All dimensions are in mm
2. Design compliance with BS EN 40:2000 Loads BS CP3, Chapter 5, Part-2
3. Maximum wind speed 160 Km/Hr.
4. Finish : Hot dip galvanized to BS ISO 1461 (or as specified).
5. Accessories are made of Mild Steel Grade.
6. Shaft made of Steel Grade FE 430C (According to EN 10025).