

HIGH MAST POLES





HIGH MASTS POLES

High Masts Poles, engineered for optimal illumination over expansive areas, stand as the ideal solution for lighting applications such as sports grounds, stadia, highways, highway interchanges, airports, harbors, and open parking lots. At Atom Poles, our High Masts Poles are meticulously manufactured, ranging in height from 18 to 30 meters or even exceeding these dimensions. They feature a distinctive polygonal shape crafted from continuous tapered steel and are seamlessly electrically welded for unparalleled structural integrity.

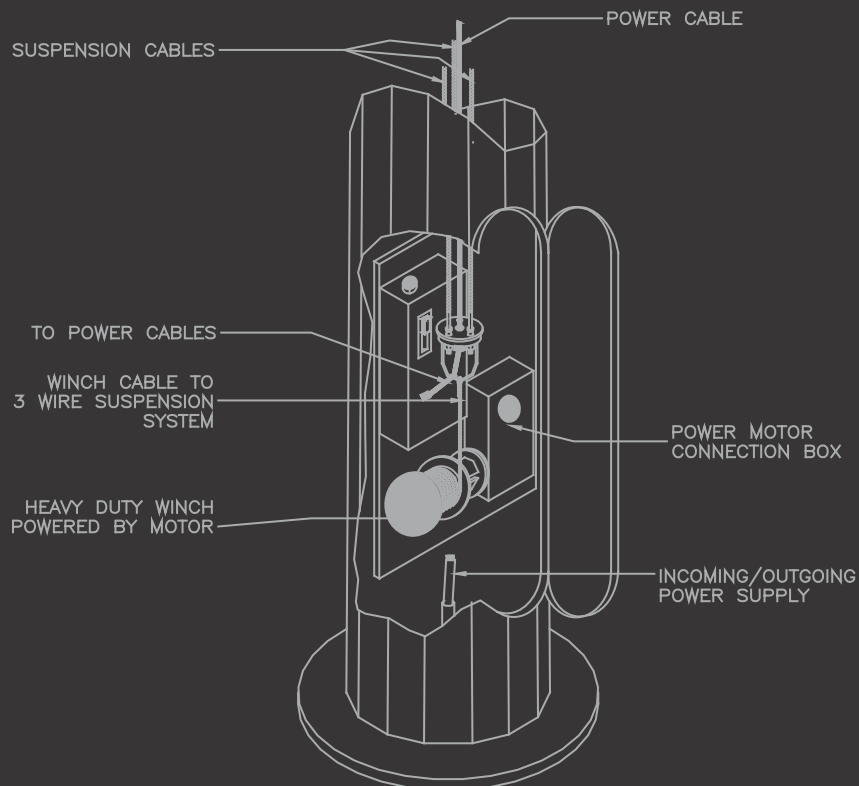
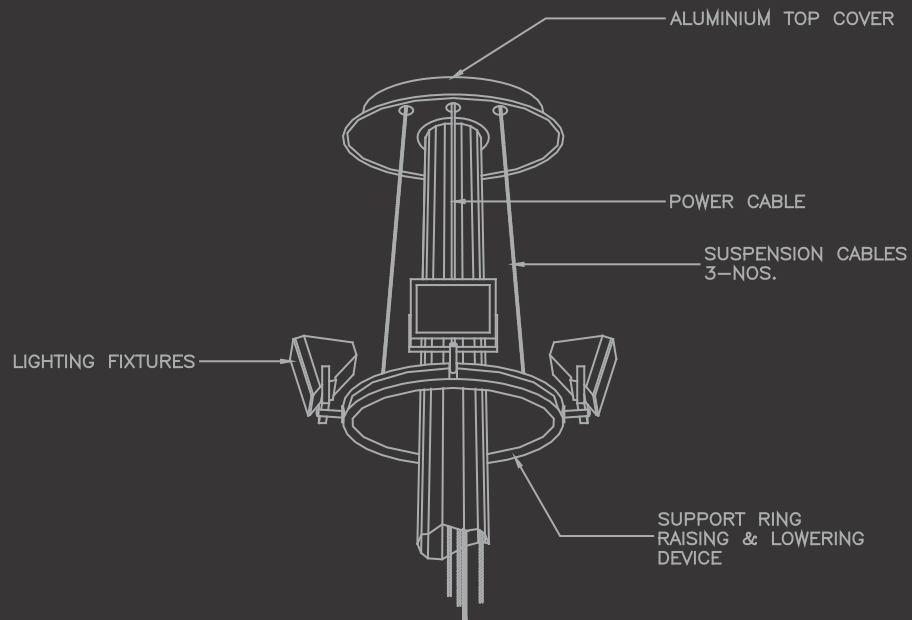
The mast itself is an assembly of 2 to 4 shafts, precision-joined through a method of pressure over-lapping. This sectional construction not only ensures a robust grip but also allows for seamless integration, creating a cohesive and durable structure. The shafts are connected by telescopic slings, further enhancing stability and contributing to the overall strength of the High Masts Poles.

One notable feature of our High Masts Poles is their versatility in design. They can be equipped with raising and lowering devices, offering convenient adjustability for varying lighting requirements. Alternatively, they are available with a fixed rectangular and tilted headframe, providing a customized solution to meet specific project needs.

Beyond their functional excellence, Atom Poles takes pride in the aesthetic appeal of our High Masts Poles. The polygonal shape and streamlined design not only serve a practical purpose but also contribute to the visual enhancement of the surrounding environment. These High Masts Poles exemplify our commitment to delivering cutting-edge solutions that seamlessly blend form and function, meeting the diverse needs of modern infrastructure projects.

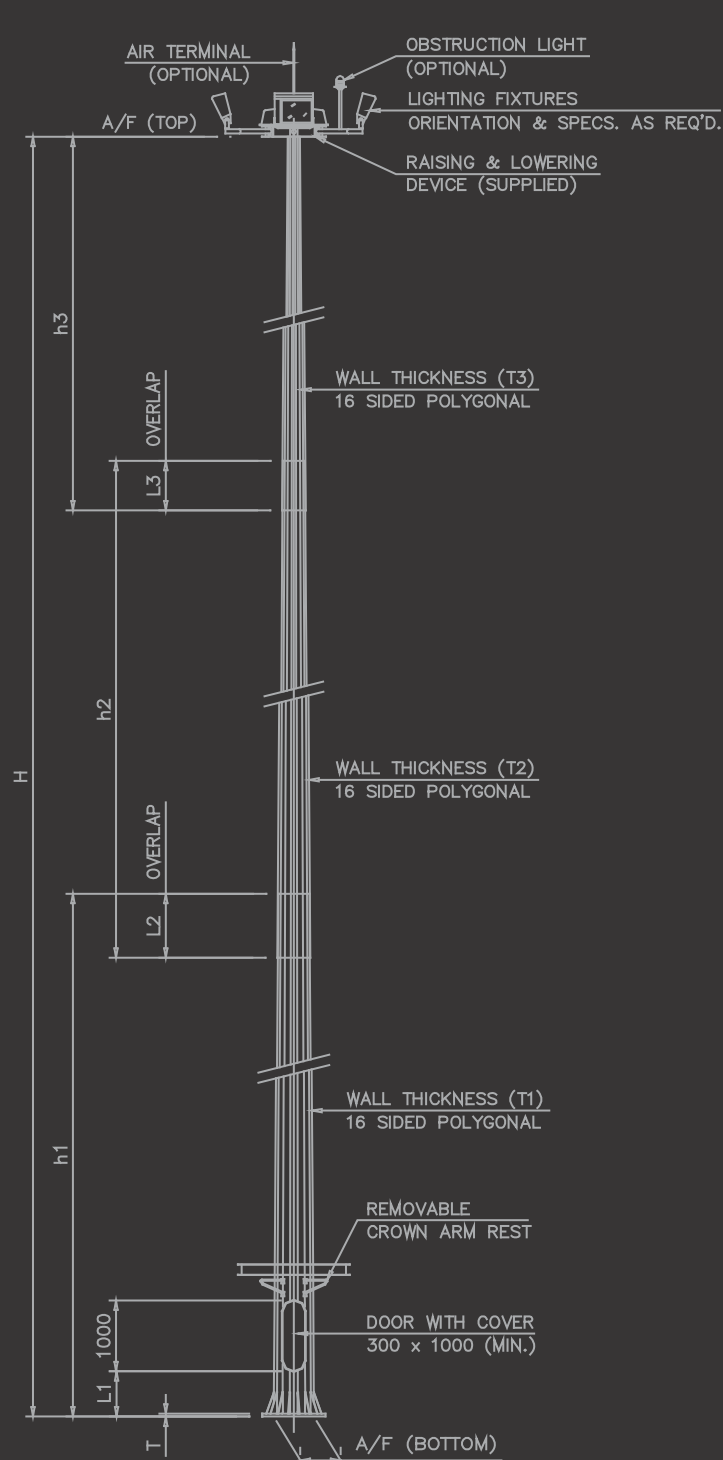
HIGH MASTS POLES

POLYGONAL HIGHMAST

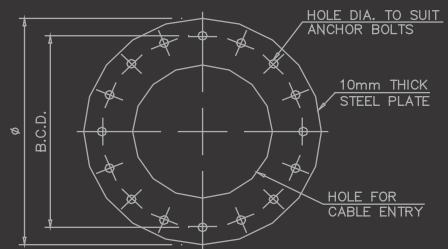


HIGH MASTS POLES

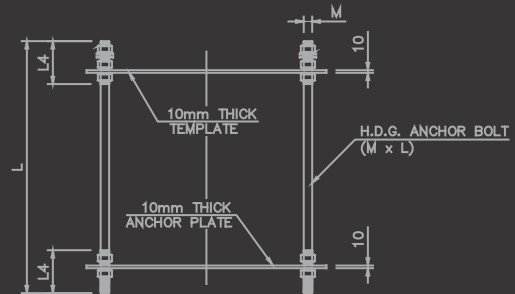
POLYGONAL HIGHMAST



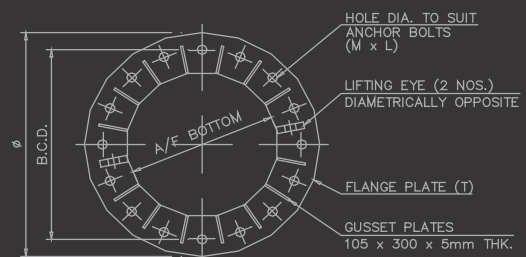
Typical Polygonal Highmast



Foundation Template



Foundation Bolt Frame



Base Plate Detail

Abbreviations :

- 1) Highmast :
 H = Overall height
 h1 = Size of bottom shaft
 h2 = Size of middle shaft
 h3 = Size of top shaft
 T = Base Plate Thickness

Notes :

- All dimensions are in mm
- Finish : Hot dip galvanized to BS ISO 1461 (or as specified).
- Accessories are made of Mild Steel Grade. Shaft made of Steel Grade FE 510C (According to EN 10025).

HIGH MASTS POLES

Following are some standard sized highmasts :

Highmast Size (mm)						
"H"	"d1" (a/f)	"d2" (a/f)	"h1 x T1"	"h2 x T2"	"h3 x T3"	"h4 x T4"
8,000	150	430	8000 x 4	--	--	--
12,000	161	440	12000 x 4	--	--	--
15,000	161	440	10000 x 4	5600 x 4	--	--
16,000	161	440	10000 x 4	6600 x 4	--	--
18,000	161	440	10000 x 4	8700 x 4	--	--
20,000	161	440	10000 x 4	10800 x 4	--	--
25,000	161	475	10800 x 4	10000 x 4	5600 x 4	--
30,000	161	500	9600 x 5	11000 x 4	11000 x 4	--
35,000	161	610	9600 x 6	11000 x 5	11000 x 4	5600 x 4
38,000	200	650	11000 x 6	11000 x 5	11000 x 4	7500 x 4
40,000	200	650	11000 x 6	11000 x 5	11000 x 4	9500 x 4

Mast	Door Opening			Flange/Base Plate Size (mm)						Anchor Bolts (mm)		
	"A"	"B"	"C"	"D"	"E"	"F"	"K"	"G"	"M"	"P x Q"	"N"	"Qty"
8,000	600	1000	300	700	580	35	30	32	10	30 x 940	160	6
12,000	600	1000	300	750	620	35	30	32	10	30 x 940	160	8
15,000	600	1000	300	750	620	35	30	32	10	30 x 940	160	8
16,000	600	1000	300	750	620	35	35	32	10	30 x 940	160	8
18,000	600	1000	300	750	620	35	35	32	10	30 x 940	160	8
20,000	600	1000	300	750	620	35	35	32	10	30 x 940	160	10
25,000	600	1000	300	750	620	35	35	32	10	30 x 940	160	12
30,000	600	1000	300	800	680	35	40	32	14	30 x 940	160	16
35,000	600	1000	300	1000	850	35	50	32	15	30 x 940	160	18
38,000	600	1000	300	1050	900	35	50	32	15	30 x 940	160	20
40,000	600	1000	300	1050	900	35	50	32	15	30 x 940	160	20